



Product catalogue

VERSION 9





Ilmer Mechanical Engineering

The foundation stone for the company's success today was laid already in 1961. Always open to new technology, with attention to detail and pure perfectionism – this is still the standard goal of Ilmer Mechanical Engineering.

Today our professional implements for orchards and vineyards are exported to more than 40 countries and sold exclusively under the Ilmer brand via a growing dealer network.

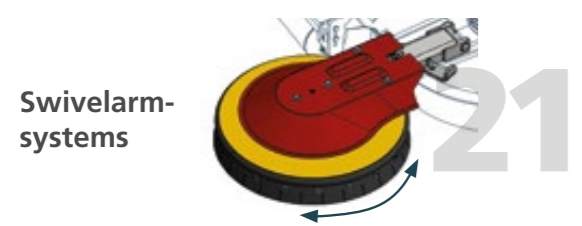
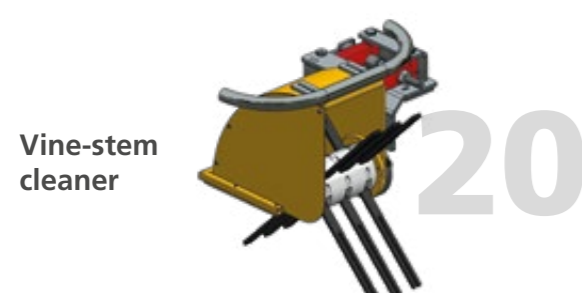
Quality first!

“Made in South Tyrol” - Nearly all relevant components are manufactured in-house and undergo meticulous quality controls. Only the combination of intelligent 3D planning and consistent use of high-tensile steels makes our particularly compact, lightweight and at the same time extremely stable construction method possible.

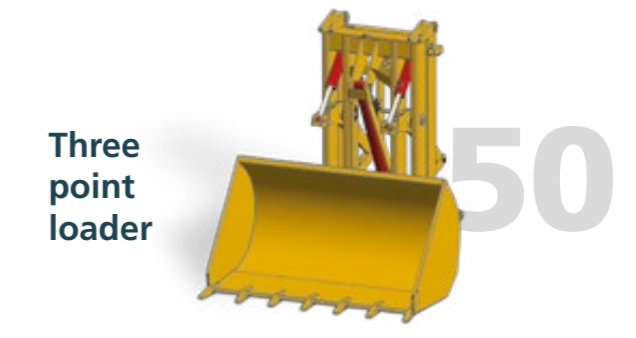
Before delivery, every single machine is subjected to a comprehensive acceptance report and tested once again on the test bench. The respective assembly technician signs the Ilmer test seal for final approval.

Index

Rotary mowers 6



Forklifts 42





Simple technology in perfection!
The M2-series

Simple technology in perfection!

The M2-series

Model	Cutting width	Side shift (in cm)	Number of blades	Weight	Power requirement	Dimensions	
		Centre of tractor				Width	Depth
M2 – Q85	85 cm	26 59	1	254 kg	15 PS	135 cm	145 cm
		-47 132					
M2 – C150	150 cm	69 81	2	258 kg	20 PS	155 cm	130 cm
		3 147					
M2 – G170	170 cm	78 92	2	290 kg	24 PS	175 cm	140 cm
		4 166					



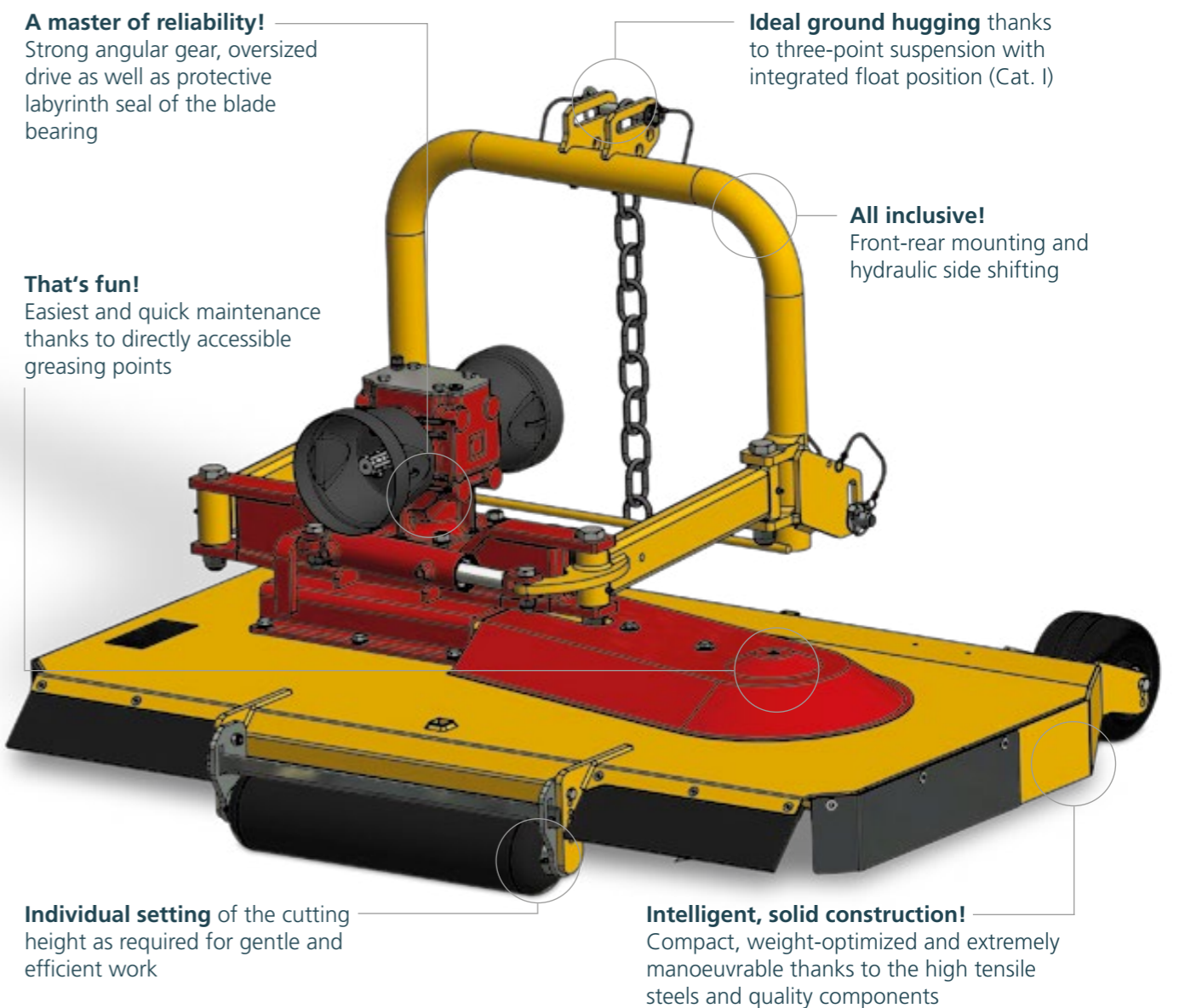
Wide one-sided offset!

Allows centralized tractor passage throughout the orchard.



Optimal result!

Thanks to lateral grass discharge, the understock area is perfectly covered with the shredded mulch mass.



Blossom strips in the orchard!

The M2-Q85 has been specially developed for mulching with blossom strips.



The ergonomic design prevents the flowering strips from snapping off.

Simple technology in perfection!

The M2-series

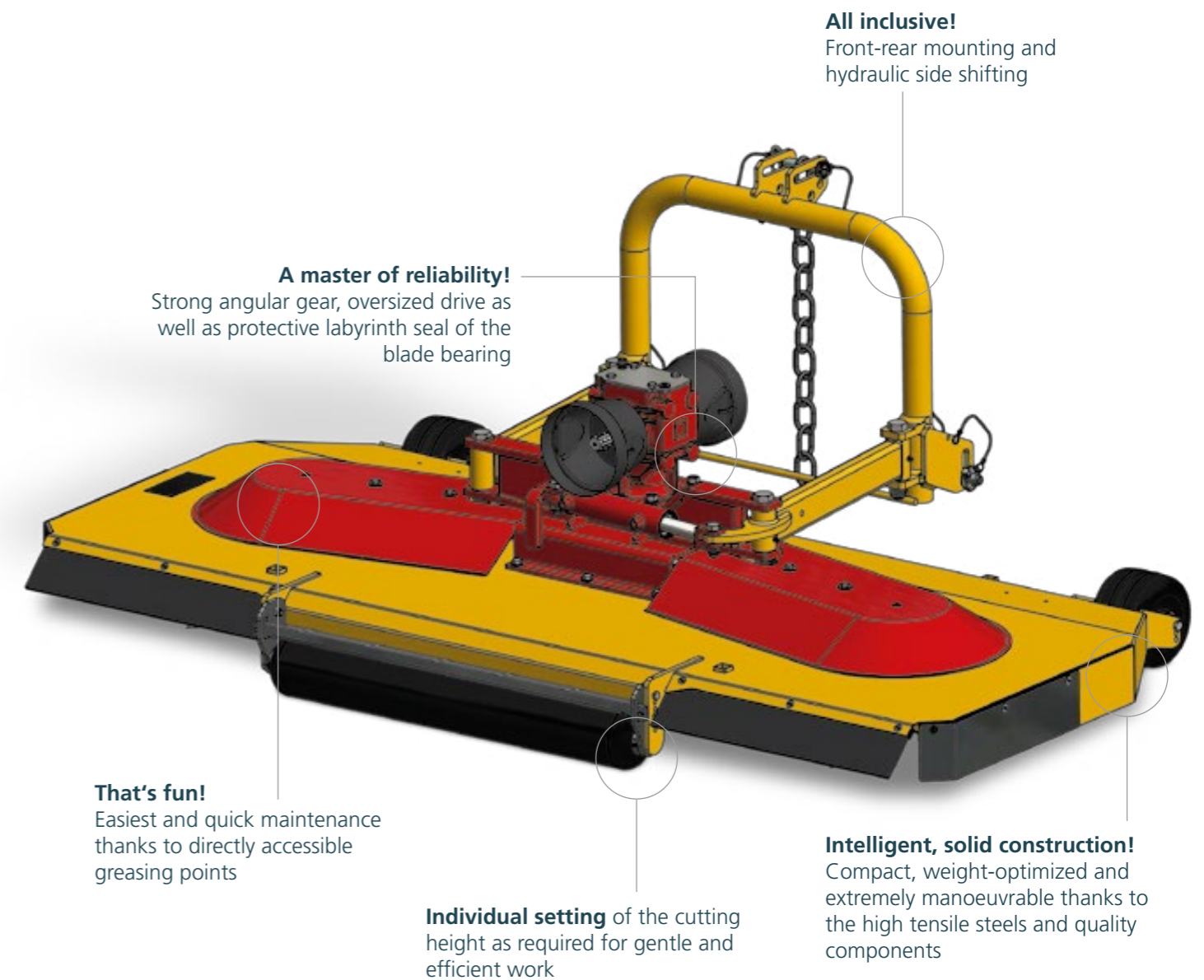
Model	Cutting width	Side shift	Number of blades	Weight	Power requirement	Dimensions	
						Width	Depth
M2-F210	210 cm	33 + 33 cm	3	338 kg	31 PS	215 cm	130 cm
M2-D230	230 cm	33 + 33 cm	3	359 kg	34 PS	235 cm	130 cm
M2-K250	250 cm	35 + 35 cm	3	395 kg	41 PS	255 cm	150 cm



Precise and manoeuvrable!

The ergonomic design enables precise working in the smallest of spaces and prevents accidental snagging.

The standard side shift helps additionally.



Efficient!

Designed for one pass per line. The adjustable cutting height guarantees an optimal mulching result.



Ideal ground hugging!

Thanks to the integrated floating position, the rotary mower adapts optimally to the ground contours.



Pure cutting performance!
The ZMG-series

Pure cutting performance!

The ZMG-series

Model	Cutting width	Side shift	Number of blades	Weight	Power requirement	Dimensions	
						Width	Depth
ZMG 120	120 cm	/	3	380 kg	22 PS	125 cm	120 cm
ZMG 160	160 cm	15 + 15 cm	3	430 kg	24 PS	165 cm	120 cm
ZMG 180	180 cm	15 + 15 cm	3	450 kg	30 PS	185 cm	120 cm
ZMG 210	210 cm	15 + 15 cm	3	470 kg	35 PS	215 cm	140 cm
ZMG 220	220 cm	15 + 15 cm	3	485 kg	37 PS	225 cm	145 cm
ZMG 230	230 cm	15 + 15 cm	3	490 kg	40 PS	235 cm	140 cm
ZMG 240	240 cm	15 + 15 cm	3	510 kg	43 PS	245 cm	145 cm
ZMG 250	250 cm	15 + 15 cm	3	520 kg	45 PS	255 cm	150 cm
ZMG 260	260 cm	15 + 15 cm	3	545 kg	47 PS	265 cm	145 cm
ZMG 280	280 cm	15 + 15 cm	3	575 kg	50 PS	285 cm	145 cm



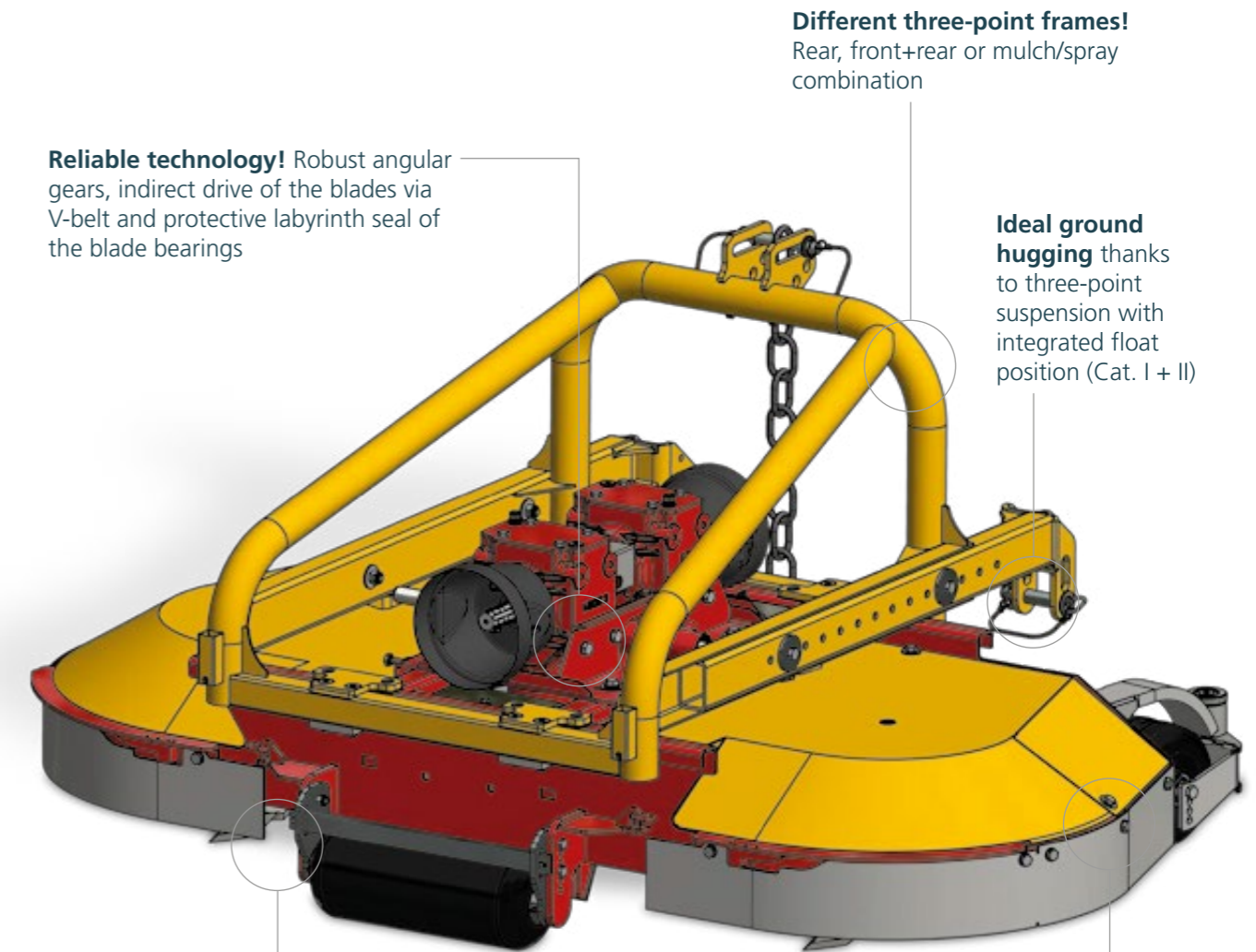
Mulch-spray combination

The special frame optimally transfers the load of the trailer drawbar to the tractor, while the rotary mower can move freely.



Pure cutting performance!

More drive through, extreme blade overcut for maximum cutting performance at high speeds.



Reliable technology! Robust angular gears, indirect drive of the blades via V-belt and protective labyrinth seal of the blade bearings

Different three-point frames!
Rear, front+rear or mulch/spray combination

Ideal ground hugging! thanks to three-point suspension with integrated float position (Cat. I + II)

Uncompromising! Enormous cutting performance, extreme blade overcut, high travel speed, even at extreme speed conditions

Intelligent, solid construction!
Compact, weight-optimized and extremely reliable thanks to high-strength steels and quality components



Selectable grass discharge

The grass discharge can be selected to be either evenly behind the rotary mower (see illustration) or on both sides of the understock-area.



This is how maintenance is fun

Simply incline the gear plate with two setting screws and the V-belts are retightened.



The power pack!
The LMG-series

The power pack!

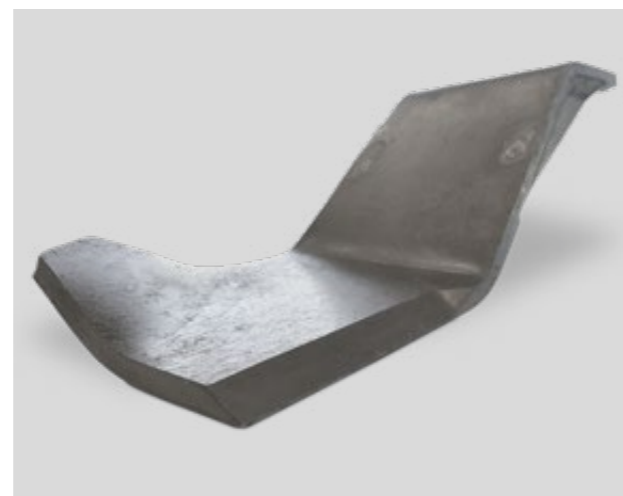
The LMG-series

Model	Cutting width	Side shift (optional)	Number of swinging blades	Weight	Power requirement	Dimensions	
						Width	Depth
LMG 145	115 - 145 cm	/	2 + 2	445 kg	30 PS	125 cm	120 cm
LMG 175	125 - 175 cm	/	2 + 2	495 kg	35 PS	130 cm	140 cm
LMG 210	150 - 210 cm	20 + 20 cm	2 + 2	545 kg	40 PS	155 cm	160 cm
LMG 245	180 - 245 cm	20 + 20 cm	2 + 2	595 kg	45 PS	185 cm	175 cm
LMG 260	190 - 260 cm	20 + 20 cm	2 + 2	645 kg	50 PS	195 cm	195 cm
LMG 260 compact	185 - 260 cm	/	2 + 2 + 2	595 kg	50 PS	190 cm	150 cm



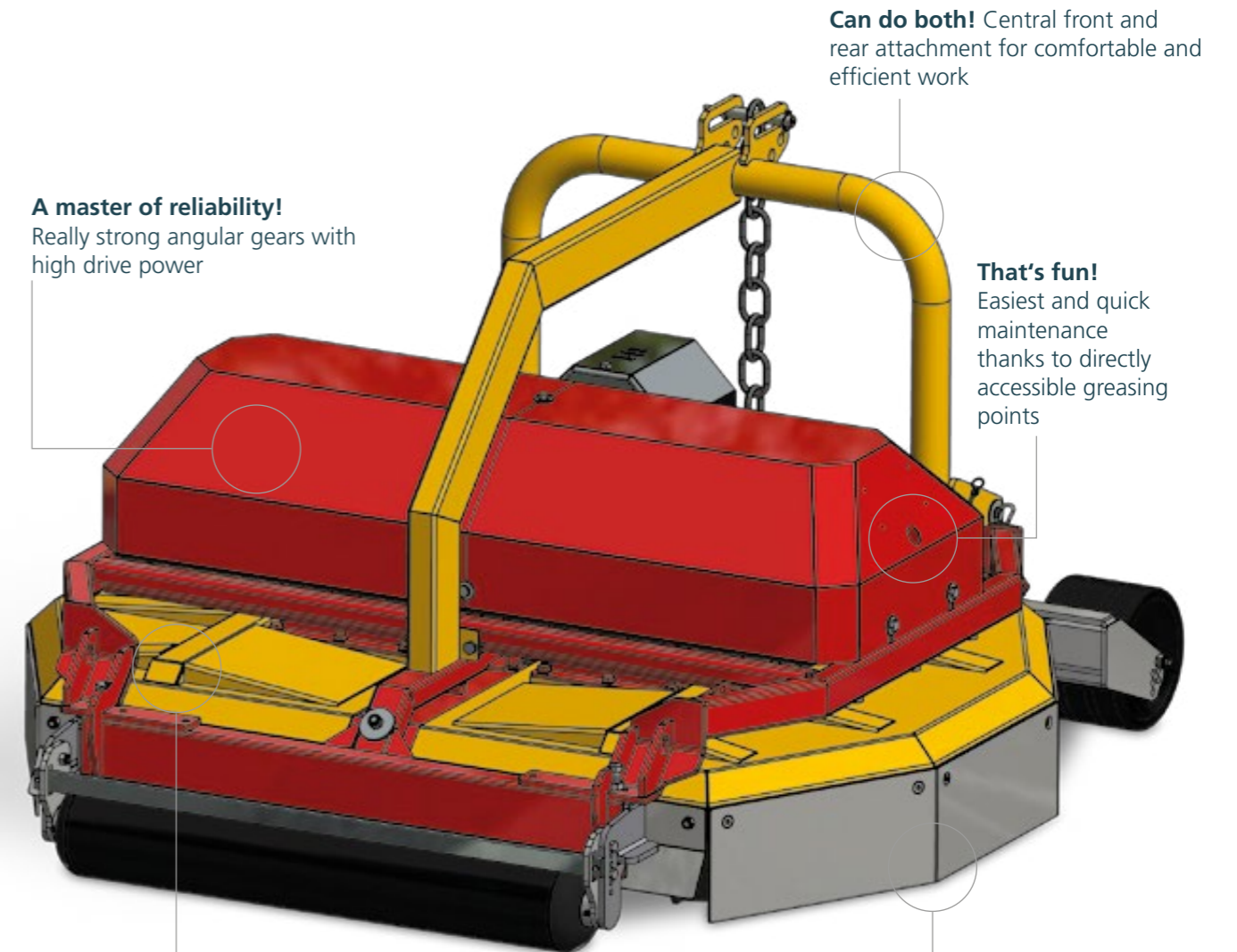
Uncompromising!

Enormous cutting performance even under the most extreme conditions.



Always at full throttle!

Massive, directly driven swinging blades without loss of power. The exchangeable underbody protection also enables use in stony places.



A master of reliability!

Really strong angular gears with high drive power

Can do both! Central front and rear attachment for comfortable and efficient work

That's fun!

Easiest and quick maintenance thanks to directly accessible greasing points

Intelligent design! The hydraulic cylinders for width adjustment also act as carriers for the extendable blade covers. This saves weight and is maintenance-free!

Selectable grass discharge! Discharge on both sides or even distribution behind the rotary mower - both are possible!



LMG 260compact - Perfect for steep terrain!

Much shorter and more compact with the same working-width - the secret of the LMG 260compact's success.



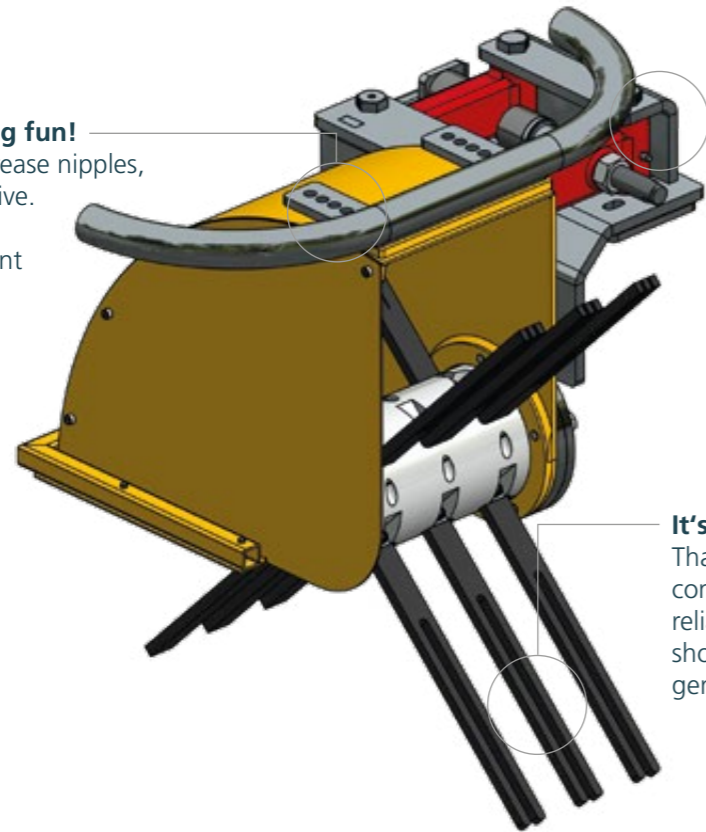
Thanks to the pendulum frame, the weight of the entire rotary mower is optimally transferred to the tractor.

Merciless to stem shoots! Gentle to the vine!

The vine-stem cleaner

This makes working fun!

Directly accessible grease nipples, maintenance-free drive. Uncomplicated and individual replacement of the cloths



Spring-loaded bearings!

Thanks to the parallelogram attachment with spring mechanism, the stem cleaner swings back immediately when the vine is approached

It's the mix that does it!

Thanks to the special composition of the cloths, they reliably and cleanly remove all shoots, but at the same time are gentle to the vine

Model	Working width	Number of cloths	Oil demand	Weight	Dimensions	
					Height	Depth
STP	30 cm	12	20 l/min	36 kg	50 cm	40 cm



Even more efficient thanks to modular design!

The vine-stem cleaner can be used on both Imer rotary mowers and the GT-Vario. This allows that several work steps can be completed simultaneously.

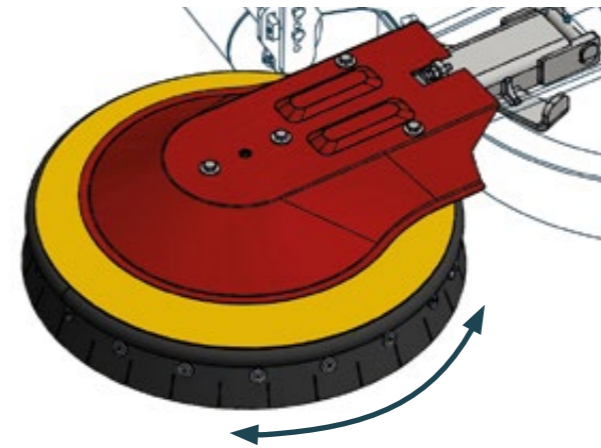


Maintains the understock-area!

The weed growth in the understock-area will also be conveyed in the direction of the drive path, where it is simply mulched or chopped.

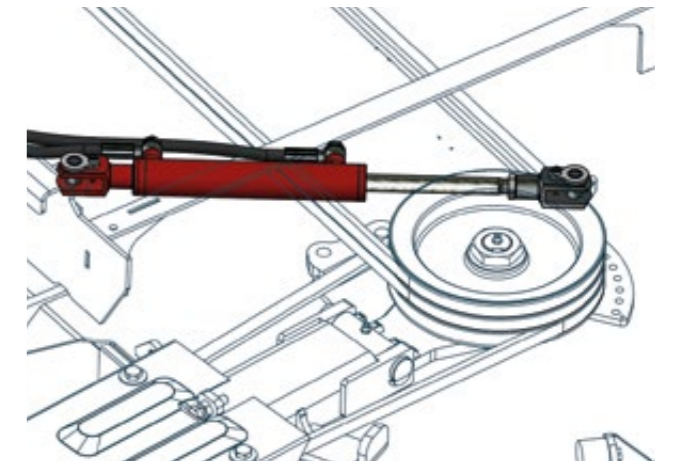
The optimal solution for every requirement!

Imer swivel-arm systems



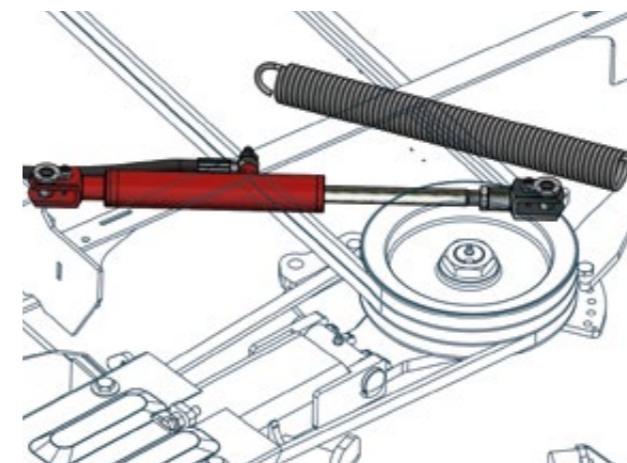
Rotatable swivel-arm disc with protective coating!

When mulching out the understock-area, the swivel arm discs gently roll off the tree trunk. The soft protective coating additionally prevents injuries to the bark.



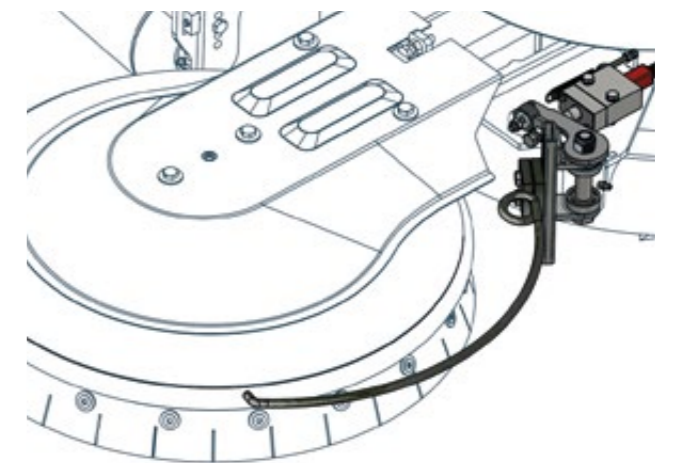
Hydraulic setting of the working width!

Optimum mulching results at higher driving speeds - the infinitely variable setting of the mulching width or positioning of the swivel-arms offers many advantages. With double-acting cylinders, the working width can be adjusted and set appropriately on steep slopes.



Adjustable and reliable - the spring balancer!

The swivel-arms are extended by means of a spring balancer, whereby the preload of the spring can be individually adjusted. Reliable collision protection or in combination with the infinitely variable spring tension for mulching out the understock-area.



Sensitive electrohydraulic fine touch automatics!

Flexible adjustment to the desired working speed thanks to electric rotary control. Particularly sensitive and automatic sensor control, ideal for young plants or steep slopes. Also optionally available with autonomous oil supply.



Unites many talents!
The IMG-series

Unites many talents!

The IMG-series

Model	Cutting width	Side shift (in cm)	Number of blades	Weight	Power requirement	Dimensions	
		Centre of tractor				Width	Depth
IMG 160 KS	125 - 160 cm	63 62	2 + 1	310 kg	22 PS	130 cm	160 cm
		-7 132 (+36)					
IMG 175 MS	125 - 175 cm	63 62	2 + 1	330 kg	24 PS	130 cm	170 cm
		-7 132 (+49)					
IMG 185 KS	150 - 185 cm	76 74	2 + 1	340 kg	27 PS	155 cm	170 cm
		2 148 (+36)					
IMG 200 MS	150 - 200 cm	76 74	2 + 1	360 kg	29 PS	155 cm	175 cm
		2 148 (+49)					



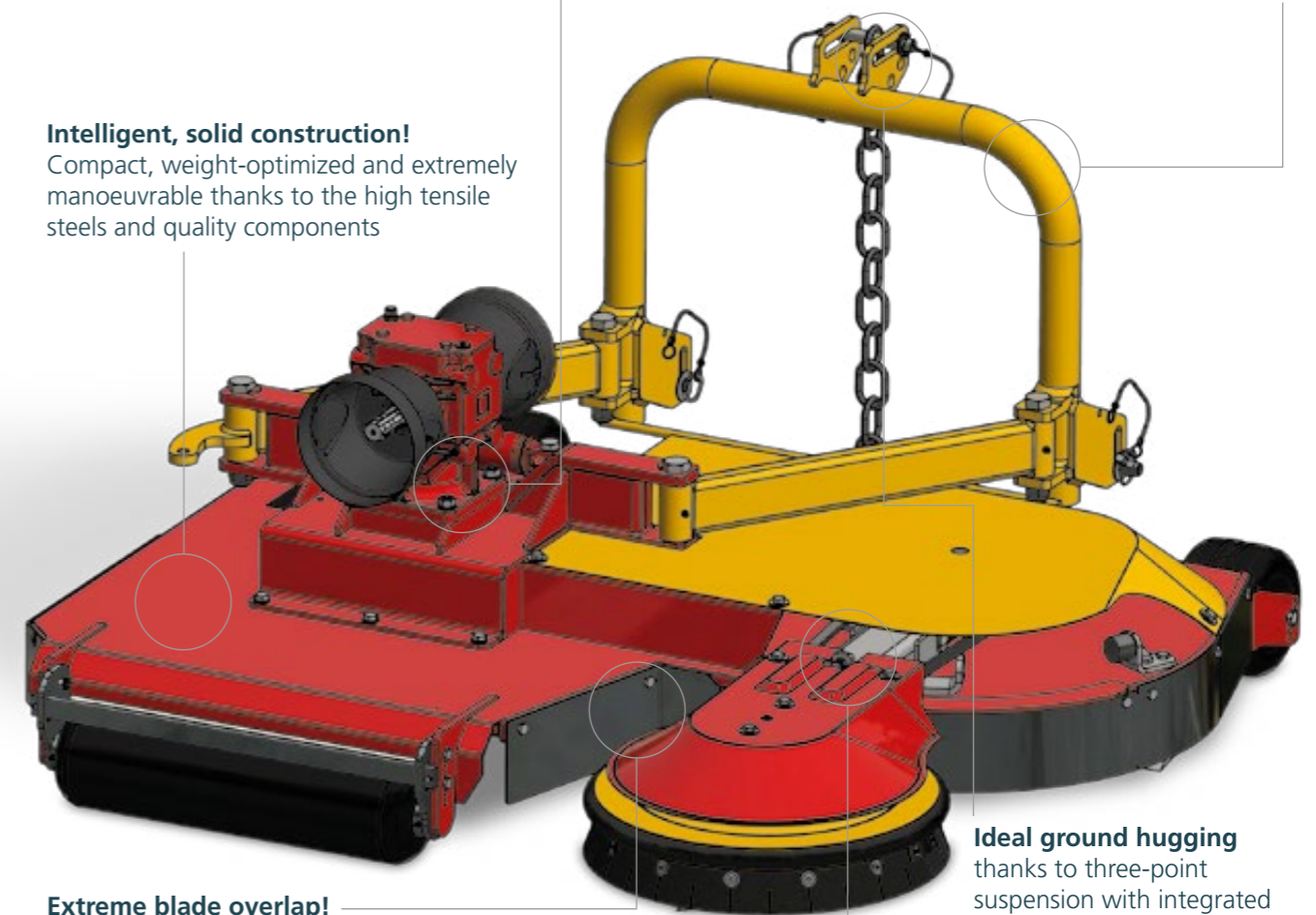
Wide one-sided offset!

Enables the tractor to be driven centrally through the orchard. The grass discharge can be selected to be either behind the rotary mower or towards the understock-area.

Reliable technology! Robust angular gears, indirect drive of the blades via V-belt and protective labyrinth seal of the blade bearings

All inclusive! Front-rear mounting and hydraulic side shifting

Intelligent, solid construction! Compact, weight-optimized and extremely manoeuvrable thanks to the high tensile steels and quality components



Extreme blade overlap! Guarantees optimum mulching results even under the most difficult conditions

Ideal ground hugging thanks to three-point suspension with integrated float position (Cat. I)

This is how working is fun! Easy and quick maintenance thanks to directly accessible belt tensioners and lubrication points



Absolutely gentle!

Rotatable swivel-arm disc, flat as well as closed construction method for clean mulching. Thanks to integrated weight relief the swivel-arm disc glides gently over the ground.



Snakes its way through!

No matter if spring loaded or with fine touch automation, the swivel-arm snakes around any obstacle.



Magnificent! - across the full spectrum
The EMG-series

Magnificent! - across the full spectrum

The EMG-series

Model	Cutting width	Side shift (in cm) Centre of tractor		Number of blades	Weight	Power requirement	Dimensions (closed swivel arms)	
		Width	Depth					
EMG 215 KS	180 - 215 cm	88	92	3 + 1	390 kg	30 PS	185 cm	160 cm
		23	157 (+35)					
EMG 225 MS	180 - 225 cm	88	92	3 + 1	420 kg	32 PS	185 cm	170 cm
		23	157 (+45)					
EMG 235 GS	180 - 235 cm	88	92	3 + 1	440 kg	34 PS	185 cm	180 cm
		23	157 (+55)					
EMG 245 KS	205 - 245 cm	98	107	3 + 1	480 kg	35 PS	215 cm	165 cm
		32	173 (+40)					
EMG 255 MS	205 - 255 cm	98	107	3 + 1	510 kg	37 PS	215 cm	175 cm
		32	173 (+50)					
EMG 265 GS	205 - 265 cm	98	107	3 + 1	530 kg	39 PS	215 cm	185 cm
		32	173 (+60)					
EMG 275 KS	240 - 275 cm	112	128	3 + 1	570 kg	40 PS	245 cm	170 cm
		30	210 (+35)					
EMG 285 MS	240 - 285 cm	112	128	3 + 1	590 kg	42 PS	245 cm	180 cm
		30	210 (+45)					
EMG 295 GS	240 - 295 cm	112	128	3 + 1	610 kg	44 PS	245 cm	190 cm
		32	215 (+55)					
EMG 315 KS	280 - 315 cm	132	149	3 + 1	695 kg	45 PS	285 cm	185 cm
		55	233 (+35)					
EMG 330 MS	280 - 330 cm	135	153	3 + 1	715 kg	47 PS	285 cm	195 cm
		55	233 (+55)					
EMG 345 GS	280 - 345 cm	135	156	3 + 1	730 kg	49 PS	285 cm	205 cm
		55	236 (+65)					



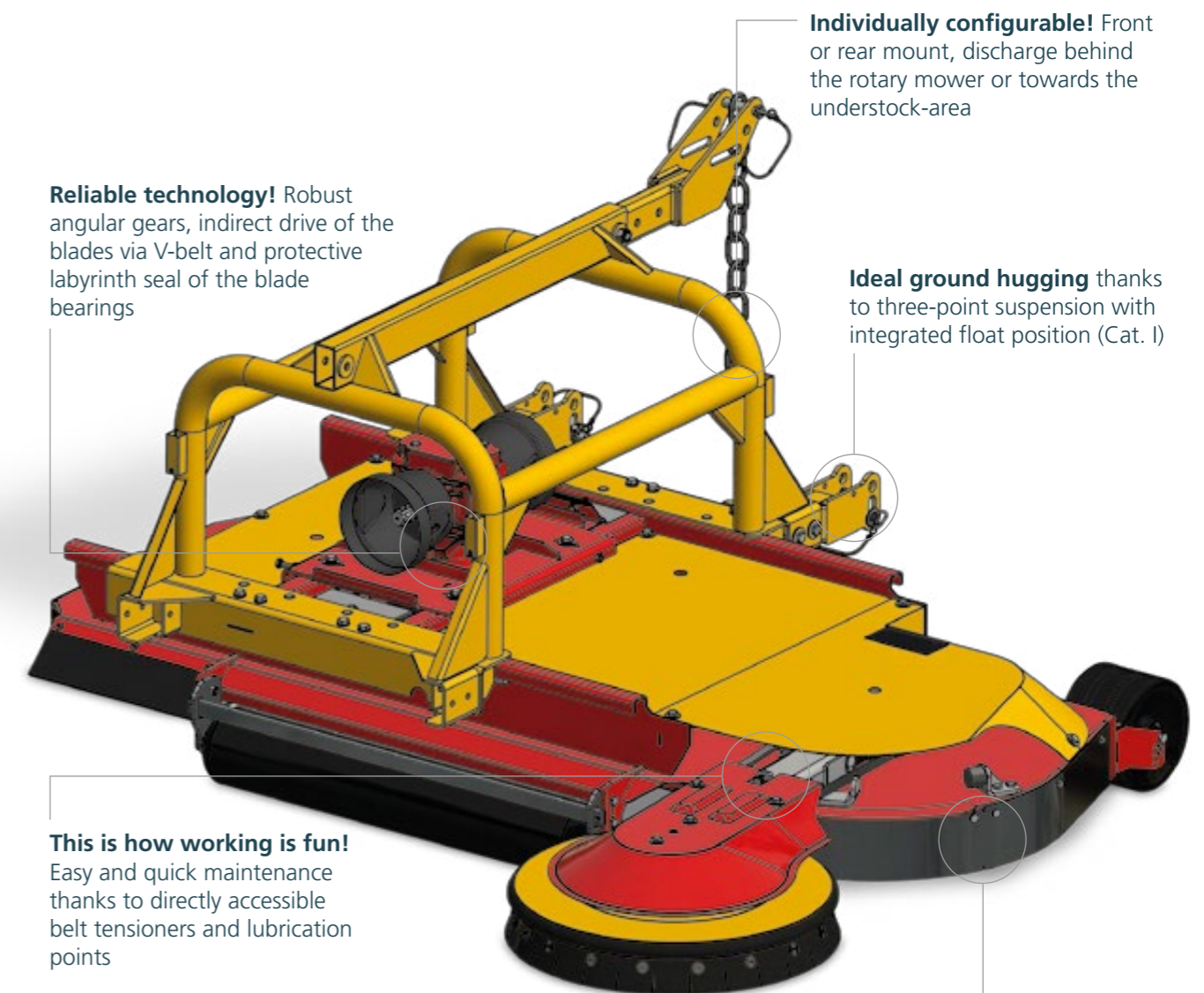
Absolutely gentle!

Rotatable swivel-arm disc, flat as well as closed construction method for clean mulching. Thanks to integrated weight relief the swivel-arm disc glides gently over the ground.



Wide one-sided offset!

Enables the tractor to be driven centrally through the orchard.



Reliable technology! Robust angular gears, indirect drive of the blades via V-belt and protective labyrinth seal of the blade bearings

Individually configurable! Front or rear mount, discharge behind the rotary mower or towards the understock-area

Ideal ground hugging thanks to three-point suspension with integrated float position (Cat. I)

This is how working is fun! Easy and quick maintenance thanks to directly accessible belt tensioners and lubrication points

Extreme blade overlap! Guarantees optimum mulching results even under the most difficult conditions



Various application possibilities

Whether fruit, municipal or photovoltaic systems, the EMG covers a wide range of applications thanks to its variability and bandwidth.



Adaptable technology!

Mechanical spring balancer or sensitive electrohydraulic fine touch automatics - the right technology for every requirement.



**For the highest demands in the
tightest spaces!**
The SMG-series

For the highest demands in the tightest spaces!

The SMG-series

Model	Cutting width	Number of blades	Weight	Power requirement	Dimensions (closed swivel arms)	
					Width	Depth
SMG 180	120 - 180 cm	3 + 2	410 kg	28 PS	125 cm	150 cm
SMG 200	120 - 200 cm	3 + 2	430 kg	30 PS	125 cm	160 cm
SMG 220	130 - 220 cm	3 + 2	460 kg	32 PS	135 cm	170 cm



Clear view!

Especially front-mounted in combination with the grass splash guard you have a perfect view of the working area.

This means that the SMG rotary mower can be directed effortlessly through the orchard.

Individually configurable!
Front or rear attachment, lateral grass discharge or even distribution behind the rotary mower

Ideal ground hugging thanks to three-point suspension with integrated float position (Cat. I + II)

Reliable technology! Robust angular gears, indirect drive of the blades via V-belt and protective labyrinth seal of the blade bearings

Rotatable swivel arm discs! Already fitted as standard in order to be able to mulch out the understock-area optimally and gently

Extreme blade overlap!
Guarantees optimum mulching results even under the most difficult conditions

This is how working is fun! Easy and quick maintenance thanks to directly accessible belt tensioners and lubrication points



Compact, weight-optimised and manoeuvrable!

The SMG fully exploits its advantages in the tightest of spaces and on steep slopes. The intelligent design in combination with high-strength steels makes it possible.

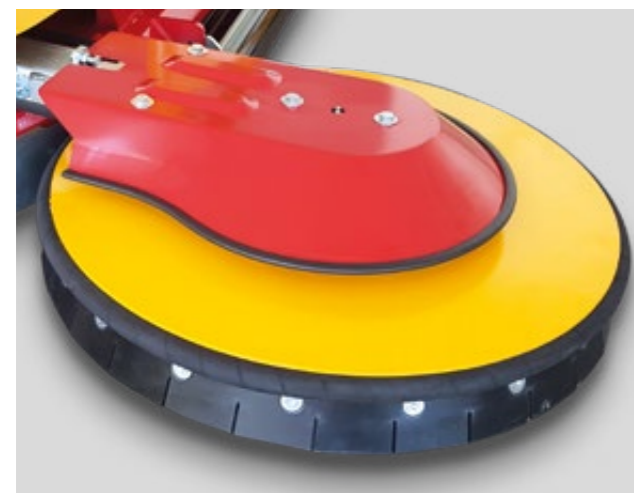
Absolutely gentle!

Rotatable swivel-arm disc, flat as well as closed construction method for clean mulching. Thanks to integrated weight relief the swivel-arm disc glides gently over the ground.

For the highest demands in the tightest spaces!

The SMG-series

Model	Cutting width	Side shift	Number of blades	Weight	Power requirement	Dimensions (closed swivel arms)	
						Width	Depth
SMG 250	165 - 260 cm	15 + 15 cm	3 + 2	520 kg	34 PS	175 cm	180 cm
SMG 290	180 - 290 cm	15 + 15 cm	3 + 2	540 kg	41 PS	190 cm	190 cm
SMG 300	185 - 305 cm	15 + 15 cm	3 + 2	570 kg	48 PS	200 cm	195 cm
SMG 335	215 - 335 cm	15 + 15 cm	3 + 2	580 kg	54 PS	225 cm	205 cm
SMG 355	230 - 355 cm	15 + 15 cm	3 + 2	610 kg	59 PS	240 cm	215 cm
SMG 380	245 - 380 cm	15 + 15 cm	3 + 2	635 kg	65 PS	250 cm	230 cm



The agony of choice!

Rigid or rotatable swivel-arm discs in several sizes can be combined with different swivel-arm systems.



The SMG can be optimally configured for the respective requirements.

Reliable technology! Robust angular gears, indirect drive of the blades via V-belt and protective labyrinth seal of the blade bearings

Individually configurable! Front or rear attachment, lateral grass discharge or even distribution behind the rotary mower

Intelligent, solid construction! Compact, weight-optimized and extremely reliable thanks to high-strength steels and quality components

Efficient! Clean (out) mulching of the complete line with only one drive



Extreme blade overlap! Guarantees optimum mulching results even under the most difficult conditions

This is how working is fun! Easy and quick maintenance thanks to directly accessible belt tensioners and lubrication points



Extremely variable working width!

The infinitely hydraulically adjustable swivel-arms make the SMG extremely versatile. The adjustable collision protection by means of an overpressure valve closes the swivel arms in case of obstacles.



Simply sleek!

High drive power combined with extreme blade overcut result in maximum cutting performance!



Unrivalled!
The KMG series

Unrivalled!

The KMG series

Model	Cutting width	Number of blades	Weight	Power requirement	Dimensions (closed swivel arms)	
					Width	Depth
KMG 150	87 - 150 cm	1 + 2	305 kg	18 PS	90 cm	180 cm
KMG 160	102 - 158 cm	1 + 2	350 kg	18 PS	105 cm	180 cm

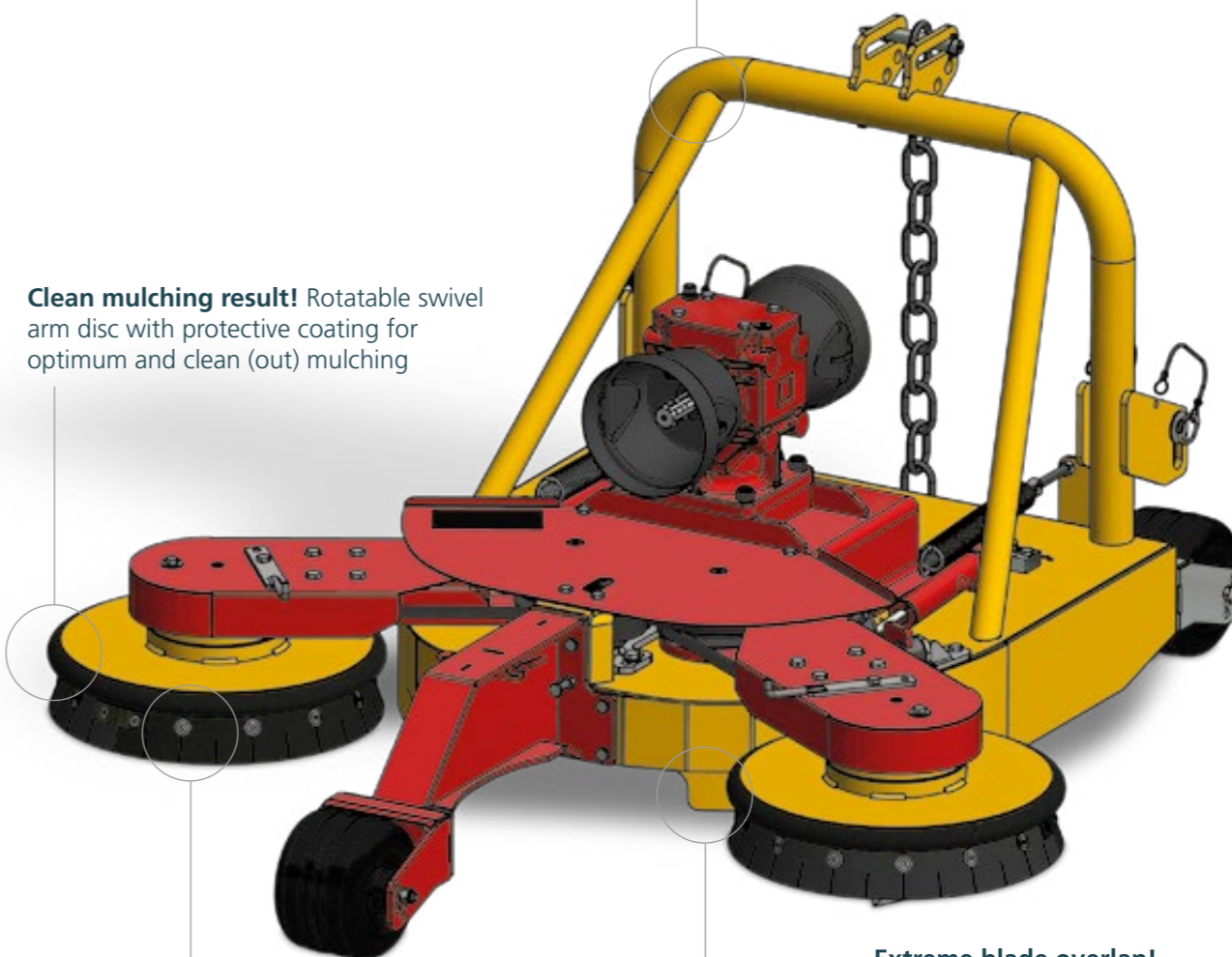


A workaholic!

Specially developed for the care of table-top cultures and perfected over the years.

The swivel arms are controlled by a spring balancer or optionally by an automatic fine-touch control.

Intelligent, solid construction!
Compact, weight-optimized and extremely manoeuvrable thanks to the high tensile steels and quality components



Clean mulching result! Rotatable swivel arm disc with protective coating for optimum and clean (out) mulching

Efficient! Clean (out)mulching of the complete line with only one drive

Extreme blade overlap!
Guarantees optimum mulching results even under the most difficult conditions



Reliable technology - Easy maintenance!

Robust angular gear, bearings sealed by a protective labyrinth and directly accessible lubrication points.



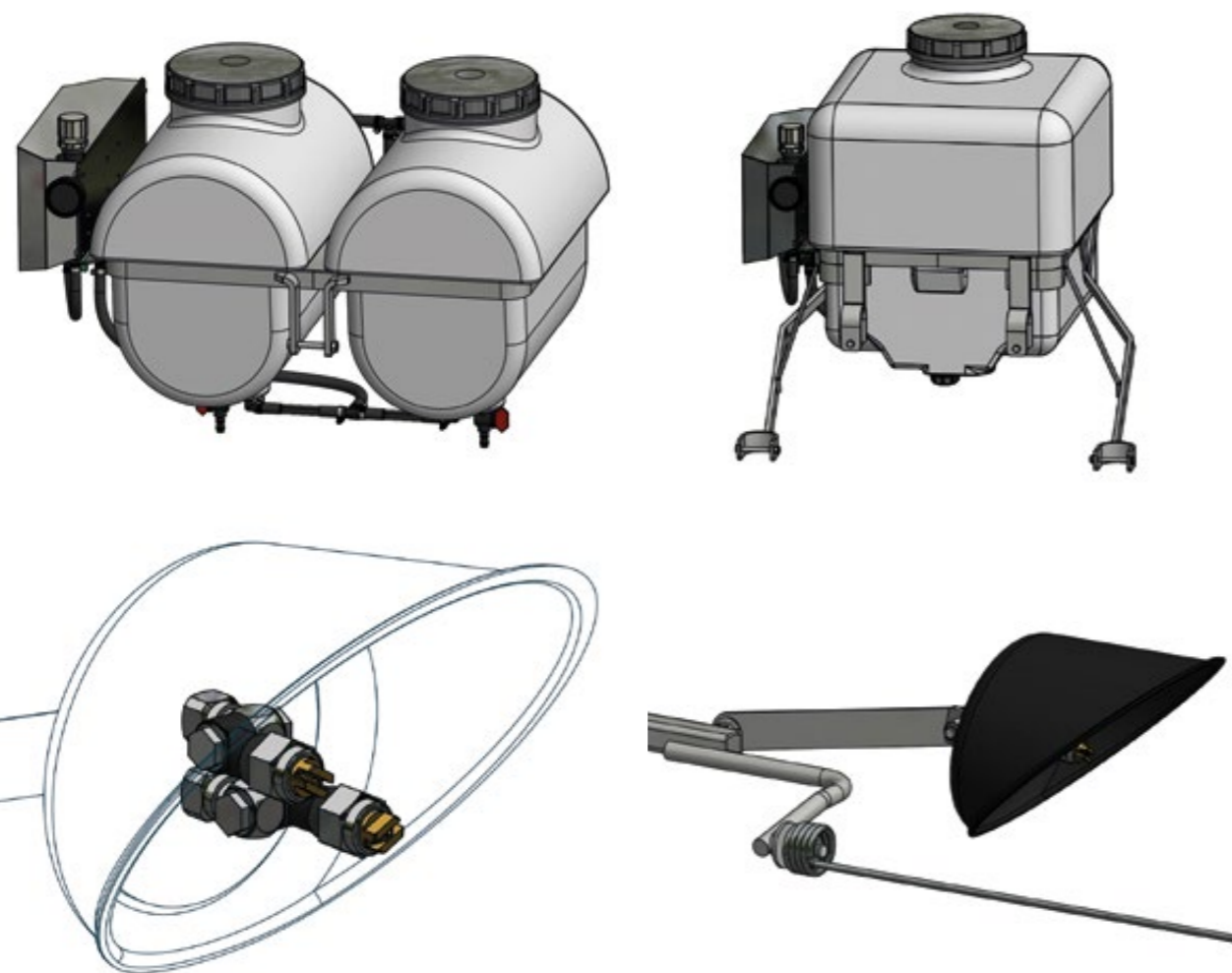
Get the most out of it!

Small tractors from 18 HP can already power the KMG. The movable rear wheel allows easy manoeuvring without lifting the rotary mower.

As little as possible! As much as necessary!

Herbicide application systems

Model	Working width	Capacity	Power supply	Weight
Herby - 120	30 cm	1x 120 l	12 Volt	25 kg
Herby - 150	30 cm	2x 75 l	12 Volt	29 kg



Two separately controllable jet nozzles!
A second jet nozzle can be switched on at the push of a button. This extends the spray width to around 50 cm.

Able to be optimally aligned!
The adjustable herbicide arm including long throw nozzles can be optimally positioned. The wiping spring presses the grass downwards, which increases the effectiveness of the active ingredient.

Big tank opening!
Convenient filling thanks to large tank opening with removable filling sieve

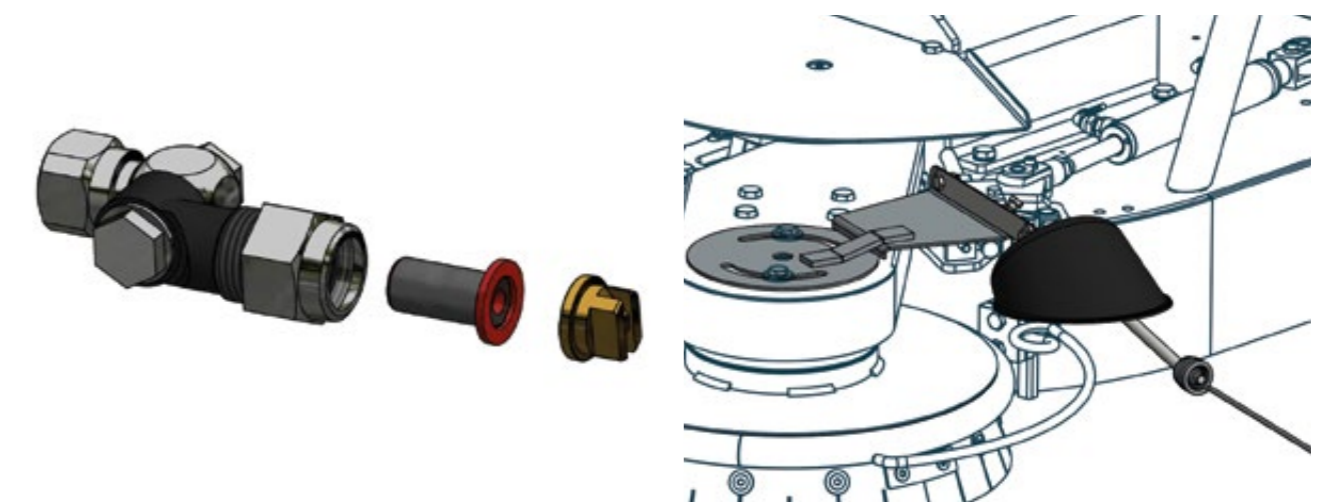
Reliable!
The suction filter protects the pump unit from the smallest contamination. To clean the tank, a shut-off valve closes the supply

According to regulations!
The required operating pressure can be set using a pressure regulator and standardized pressure gauge (0.2 bar scale)

Clean emptying!
Each tank is fitted with a drain cock, on which a hose can be attached for clean emptying

Comfortable!
Electric 12 Volt control unit with strong magnetic clamp for practical attachment to the tractor. The individual nozzles and the pump can be controlled via a toggle switch

120 l and 2 x 75 l
Depending on the rotary mower, one or two tanks can be installed or combined with one-sided or two-sided herbicide bars



Because every drop counts!
All long throw nozzles are equipped with a drip stop. The special diaphragm prevents uncontrolled active ingredients leaking out.

Automatic spot spraying!
Targeted application of the herbicide directly on the tree trunk by means of automatic spot spraying. This further reduces the amount of active ingredient per hectare.



Top dog!
The K2-D | ECO series

Top dog!

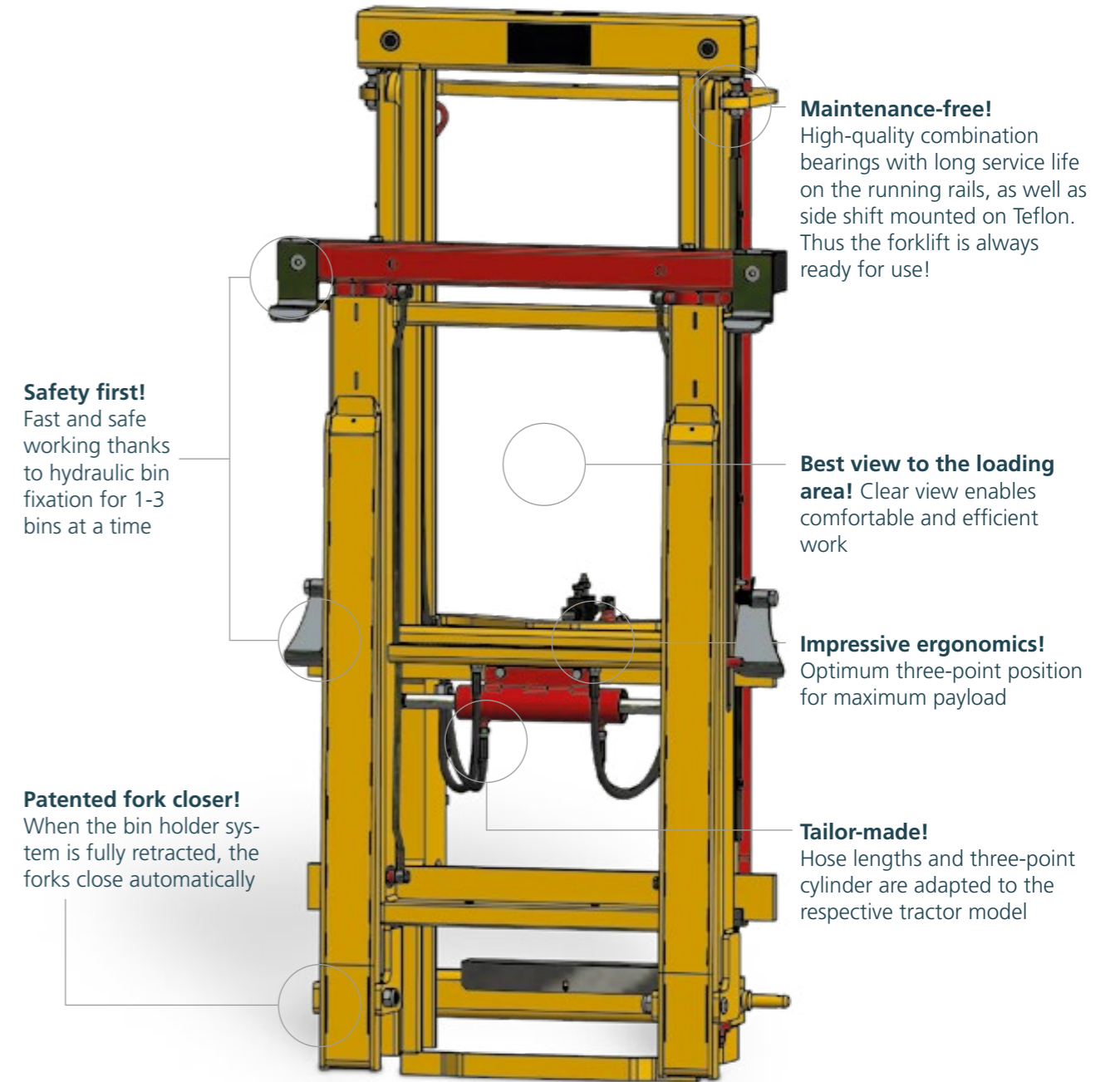
The K2-D series

Model	K2-D175	K2-D195	K2-D235	K2-D255	K2-D275
Max. Lifting height	170 cm	190 cm	235 cm	250 cm	275 cm
Lifting capacity	1.500 kg				
Side shift	9,5 + 9,5 cm				
Tilt	20 cm				
Weight	339 kg	355 kg	386 kg	398 kg	411 kg
Mounted height	170 cm	180 cm	200 cm	208 cm	220 cm



Wonderful view!

A clear view of the loading area enables comfortable and efficient working until late at night.



Maintenance-free!
High-quality combination bearings with long service life on the running rails, as well as side shift mounted on Teflon. Thus the forklift is always ready for use!

Safety first!
Fast and safe working thanks to hydraulic bin fixation for 1-3 bins at a time

Best view to the loading area! Clear view enables comfortable and efficient work

Impressive ergonomics!
Optimum three-point position for maximum payload

Patented fork closer!
When the bin holder system is fully retracted, the forks close automatically

Tailor-made!
Hose lengths and three-point cylinder are adapted to the respective tractor model



Efficient and safe!

Fast unloading of up to 8 bins simultaneously - no problem thanks to hydraulic bin fixation.



Valuable freight!

The optional shock absorber protects the valuable harvest from impacts during transport.

Top dog!

The ECO series

Model	ECO-175	ECO-195	ECO-235	ECO-255	ECO-275
Max. Lifting height	170 cm	190 cm	235 cm	250 cm	275 cm
Lifting capacity	1.500 kg				
Side shift	9,5 + 9,5 cm				
Tilt	20 cm				
Weight	314 kg	330 kg	361 kg	373 kg	386 kg
Mounted height	170 cm	180 cm	200 cm	208 cm	220 cm



Tailor-made!

Hose lengths and three-point cylinder are adapted to the respective tractor model.

The optimised three-point position enables even closer mounting to the tractor and maximum inclination of the forklift.

Best view to the loading area!

Clear view enables comfortable and efficient work

Maintenance-free!

High-quality combination bearings with long service life on the running rails, as well as side shift mounted on Teflon. Thus the forklift is always ready for use!

With side shift!

Hydraulic side shift mounted on Teflon as standard!

Adjustable!

Manual fork adjustment for different pallet dimensions



Wonderful view!

A clear view of the loading area enables comfortable and efficient working.



Practical!

The parking trolley is a faithful helper for independent moving and parking of the forklift.

Full turn!

The bin tipper

Model	KW 70	KW 85	KW 100
Opening bin fixation	45 - 69 cm	62 - 86 cm	79 - 103 cm
Lifting capacity	600 kg		
Weight	145 kg		



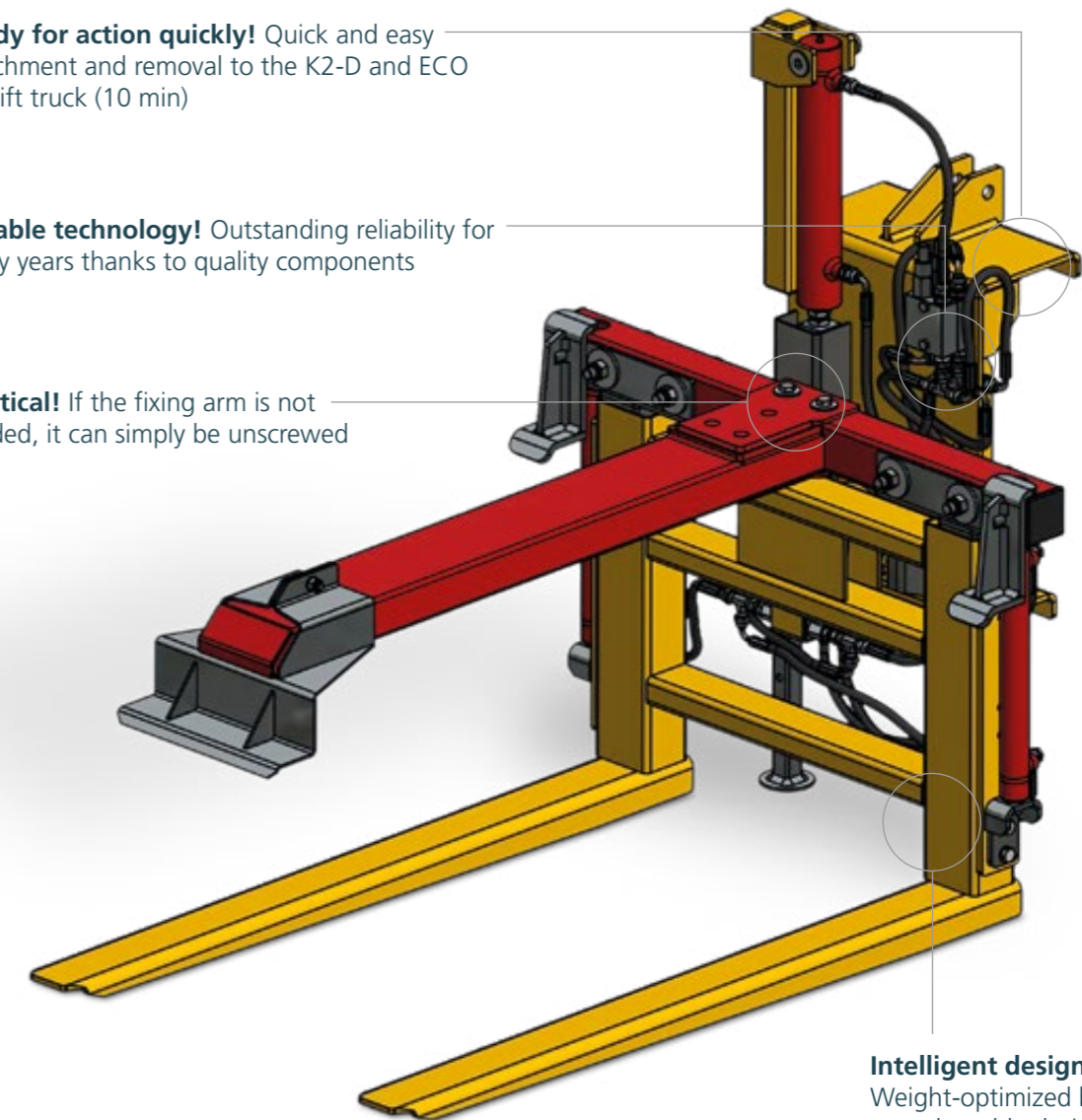
Absolutely safe!

Only when the crate is securely clamped does the rotation begin automatically. Only a double-acting connection is required.

Ready for action quickly! Quick and easy attachment and removal to the K2-D and ECO forklift truck (10 min)

Reliable technology! Outstanding reliability for many years thanks to quality components

Practical! If the fixing arm is not needed, it can simply be unscrewed

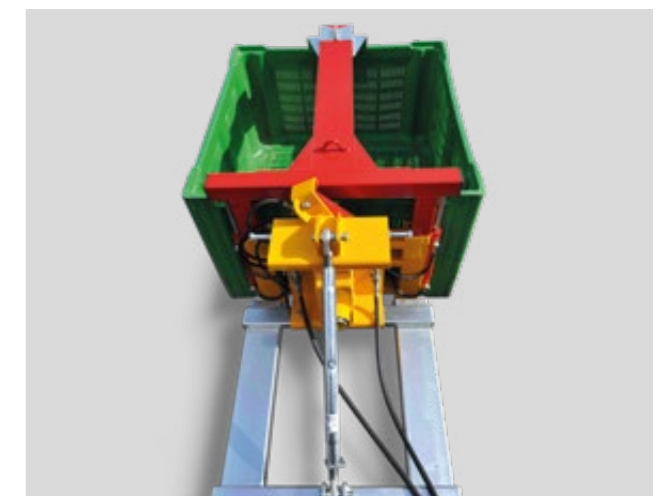


Intelligent design! Weight-optimized but extremely stable design thanks to high-strength steels for maximum payload



Full rotation!

Complete emptying thanks to 180° rotation of the bin.



Attachment to industrial forklift trucks

Thanks to the three-point adapter, the bin tipper can be quickly and easily attached to any forklift truck.



The allrounder!
The three-point loader

The allrounder!

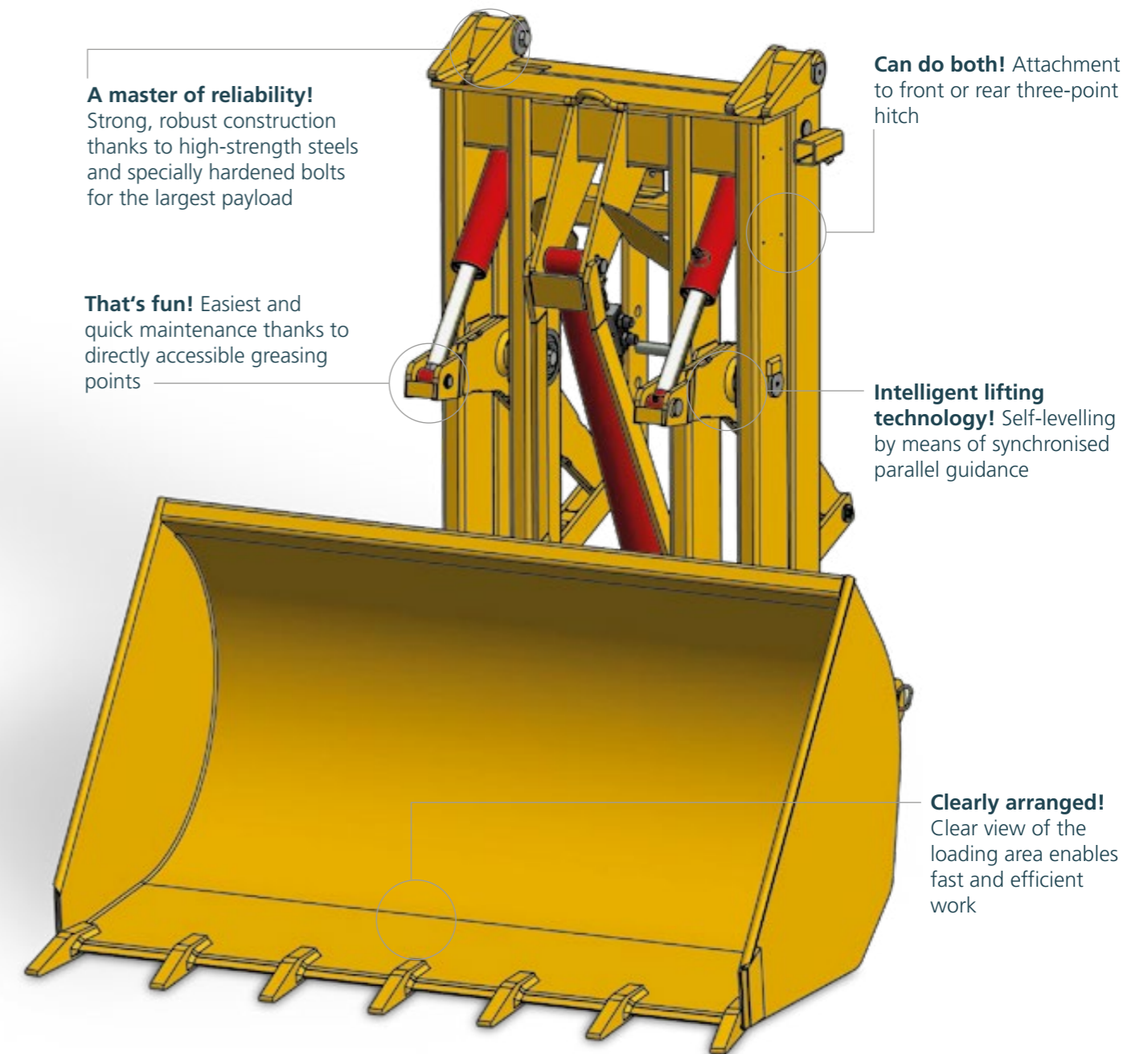
The three-point loader

Model	HS
Max. Lifting height	230 - 250 cm
Max. Unloading height	210 - 230 cm
Max. Transport load (three point loader closed)	2.500 kg
Lifting capacity (with full three point loader opening)	400 kg
Operating pressure	175 bar
Weight (without accessories)	196 kg



Intelligent lifting technology!

Self-levelling of the tool during lifting and lowering thanks to synchronised parallel guidance.



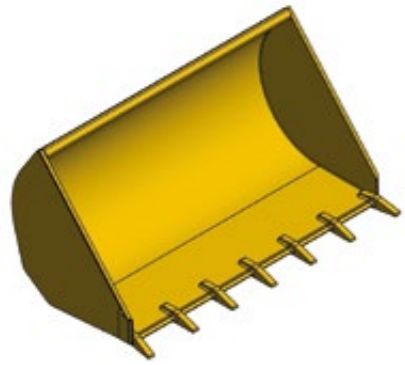
Quick-hitch system!

Useful option for quick and safe changing of the various tools.



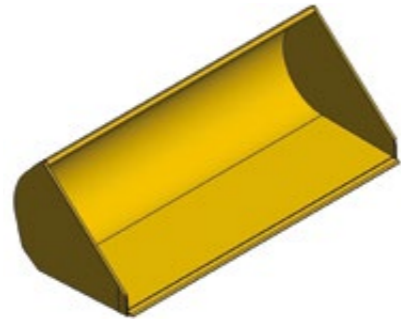
Strong bucket intake!

Maximum loading volume and safe transport even on steep terrain.



Earth bucket with teeth

Robust earth bucket available in different widths.



Light goods bucket

Around 40% more capacity and equipped with a wear-resistant scraper blade. Ideal for loading light goods or clearing snow.



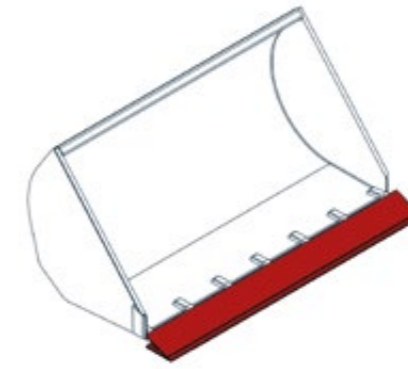
Hydraulic grab comb

Can be combined with earth shovel and light goods shovel.



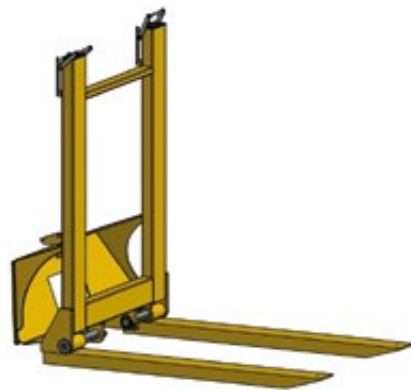
Harvesting tool

Simple but practical accessory for felling apple trees with pronounced refinement.



Scraper blade

Ideal for working with light material such as wood chips or for clearing snow.



Pallet fork

Forks can be manually adjusted in width and folded up including transport lock.



Combi loader with hydraulic grab comb

Incredibly versatile.



Dung fork

Ideal for transporting straw manure.



Transplanting fork

Ideal for transplanting trees in existing orchards.



Bale tine fork

Different tine lengths available.



A master of efficiency!
The vine-catcher

A master of efficiency!

The vine-catcher

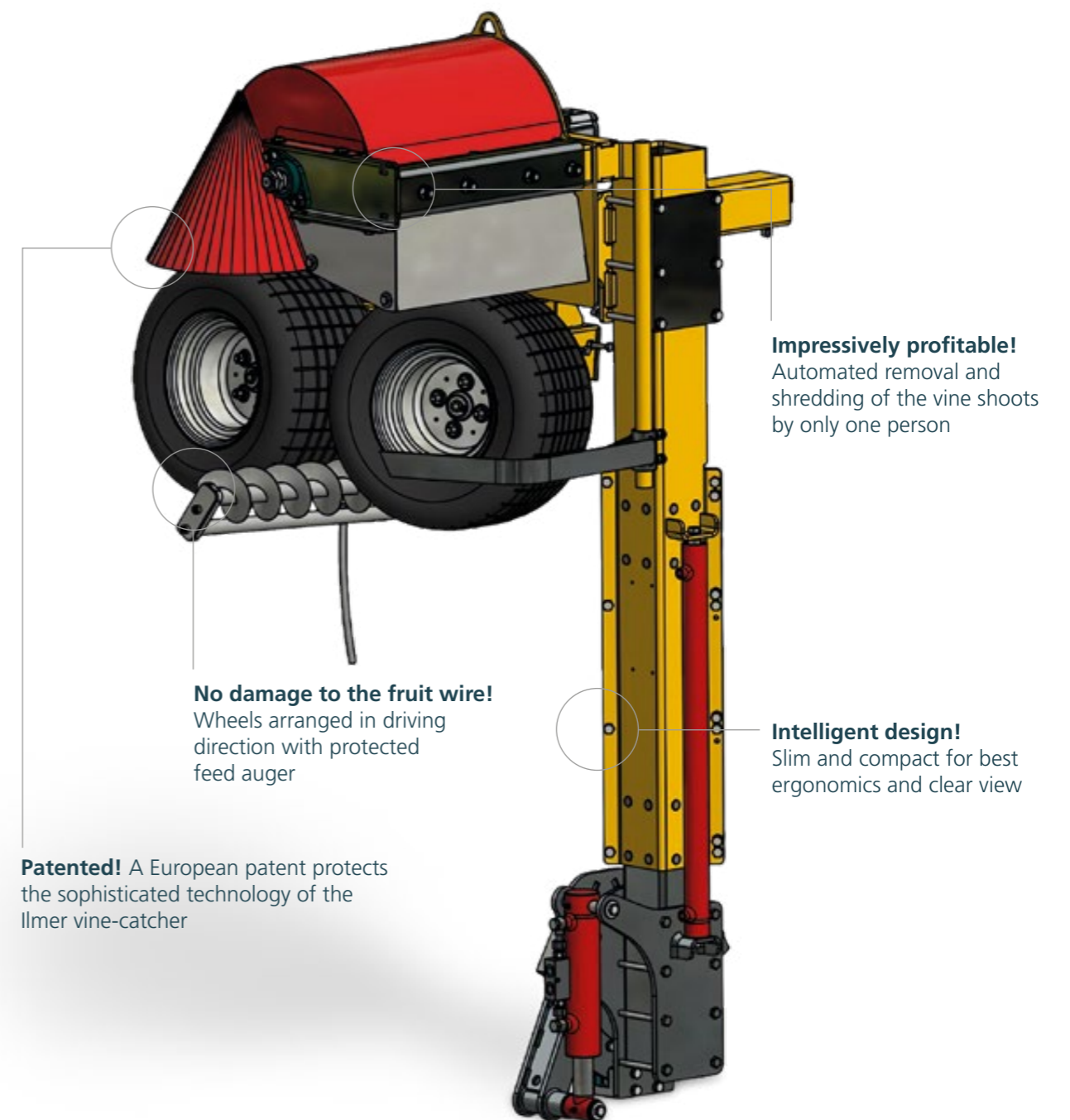
Model	RHZ
Cruising speed	2-3,5 km/h - depending on the grape variety
Height closed	225 cm
Height adjustment	65 cm
Lateral adjustment	38 cm
Inclination angle	+20° bis -20°
Weight RHZ (Hydraulic unit)	396 kg (207 kg)



Best value!

With the Ilmer vine-catcher, up to 90% of the vine shoots is pulled out and chopped.

Of course, the appropriate preparation of the vineyard is necessary.



Impressively profitable!
Automated removal and shredding of the vine shoots by only one person

No damage to the fruit wire!
Wheels arranged in driving direction with protected feed auger

Intelligent design!
Slim and compact for best ergonomics and clear view

Patented! A European patent protects the sophisticated technology of the Ilmer vine-catcher



One-man show!

One person is sufficient to operate the vine-catcher. This saves additional labour costs.



Perfect interaction!

Only in combination with the matching Ilmer hydraulic unit can the vine-catcher be optimally adjusted to the respective vineyard.



Indestructible!
The root-cutter

Indestructible!

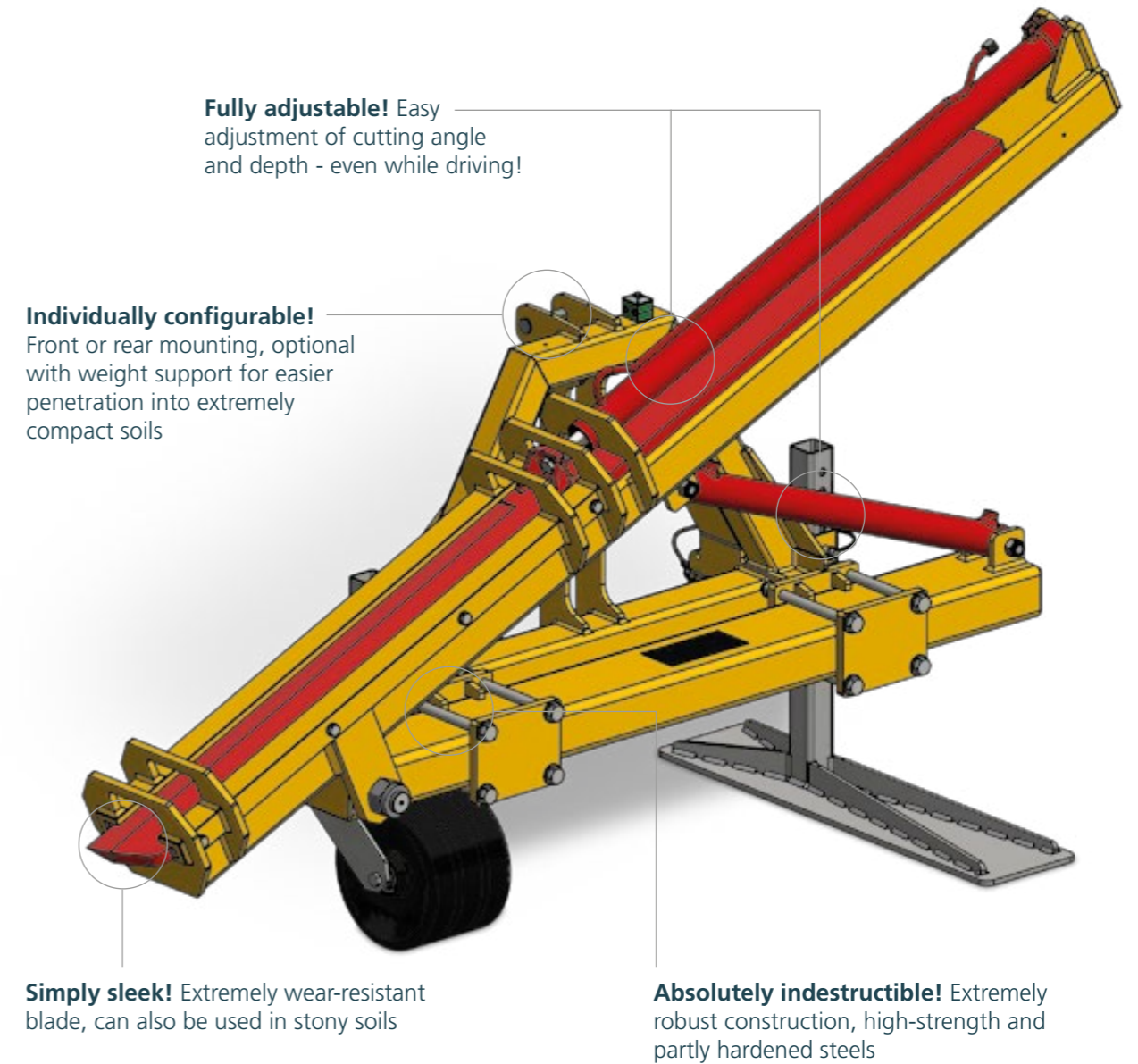
The root-cutter

Model	WS
Penetration depth	82 cm
Inclination angle	+24° bis +70°
Weight	220 kg



Adjustable - even while driving!

Easy adjustment of cutting angle and depth at the touch of a button. Thus the growth of the respective culture can be regulated without the use of chemical agents.



Simply sleek! Extremely wear-resistant blade, can also be used in stony soils

Absolutely indestructible! Extremely robust construction, high-strength and partly hardened steels



Weight support!

Additional weights facilitate penetration into hard, compact soils.

The standard weights of the tractor can be used for this purpose.



Bites without mercy!
The tree puller

Bites without mercy!

The tree puller

Model	B99
Opening Gripping pliers	19 cm
Operating pressure	175 bar
Weight	79 kg



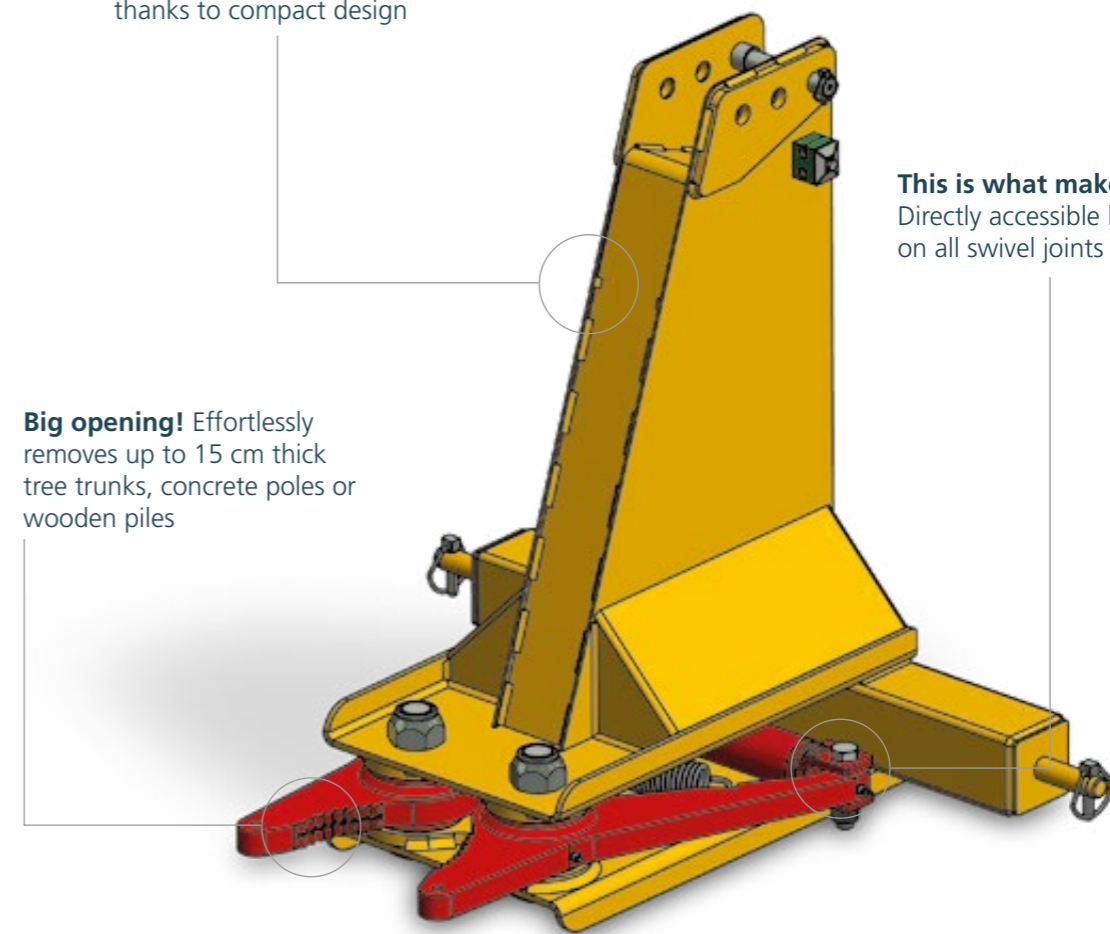
Bites without mercy!

The powerful gripper with lever transmission ensures a firm bite. Thus tree trunks or vines can be uprooted quickly and easily.

Simply efficient! Clear work thanks to compact design

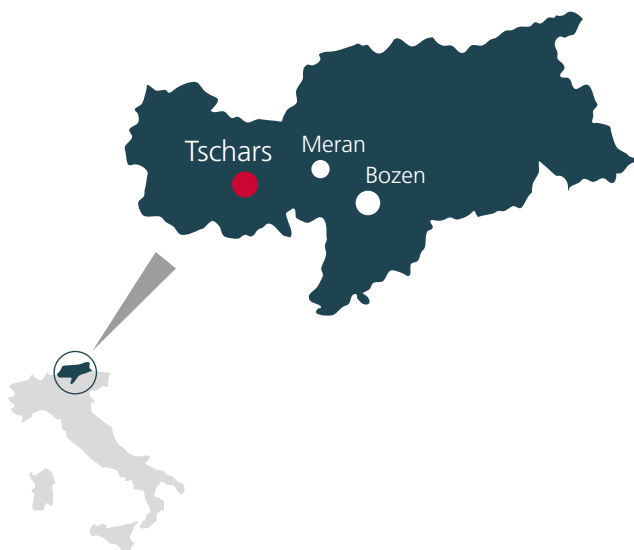
Big opening! Effortlessly removes up to 15 cm thick tree trunks, concrete poles or wooden piles

This is what makes working fun! Directly accessible lubrication points on all swivel joints



Clamps with rubber coating!

Enables gentle gripping and pulling out without slipping off concrete poles.



MADE IN SOUTH TYROL

ILMER Maschinenbau Ltd.
Staatsstraße 74 | I-39020 Kastelbell-Tschars (BZ)
Phone +39 0473 624 133 | Fax +39 0473 624 499
info@ilmer.it | www.ilmer.it